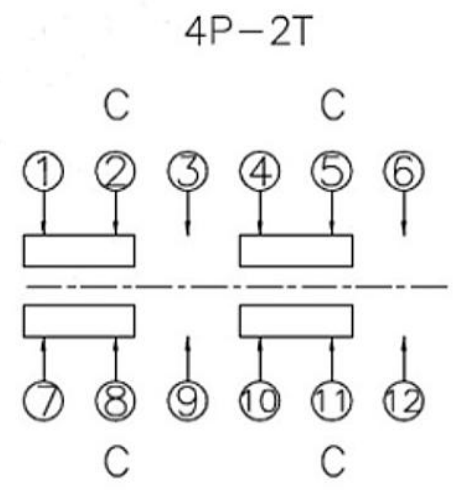
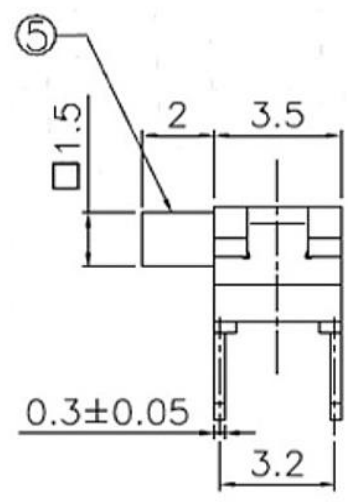
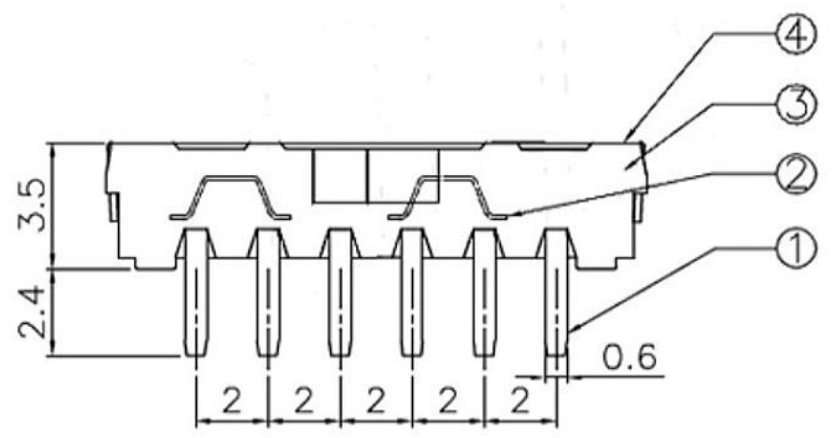


P.C.B layout



Circuit Diagram



注: "*"表示关键尺寸(6个)

NO.	PARTS	MATERIALS	Q'TY	FINISH	TOLERANCE		UNLESS SPECIFIED		DESCRIPTIONS OF REVISION		APPD.		
8													
7	STEEL BALL	STEEL	1	NATURAL									
6	SPRING	STEEL WIRE	1	NATURAL									
5	CONTACT CLIP	PBS STRIP	2	Ag PLATED									
4	TERMINAL	BRASS STRIP	8	Ag PLATED									
3	BASE	PHENOLIC RESIN	1	NATURAL									
2	FRAME	STEEL STRIP	1	Ni PLATED									
1	KNOB	POM	1	BLACK									
					TITLE : SLIDE SWITCH			UNIT : mm		DRWG NO.:			
					MODEL:			SCALE: 3:1		DWN. 2012-10-26			
					东莞市高迪电子有限公司 DONGGUAN GAODI ELECTRONICS CO., LTD.			ISSUE		DATE		2012-10-26	
								APPD.				2012-10-26	